

Retrotouch

COOKER SWITCH

WITH A TOUCH OF GLASS™



FOR SOPHISTICATED KITCHENS

This stylish Crystal Cooker switch with Socket in boasts the screwless glass faceplate characteristic of our Crystal range. The elegant selection of cooker sockets match the rest of our Crystal range and brings an stunning finish to any kitchen.



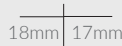
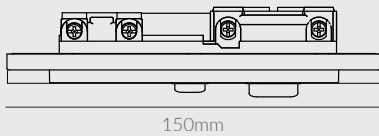
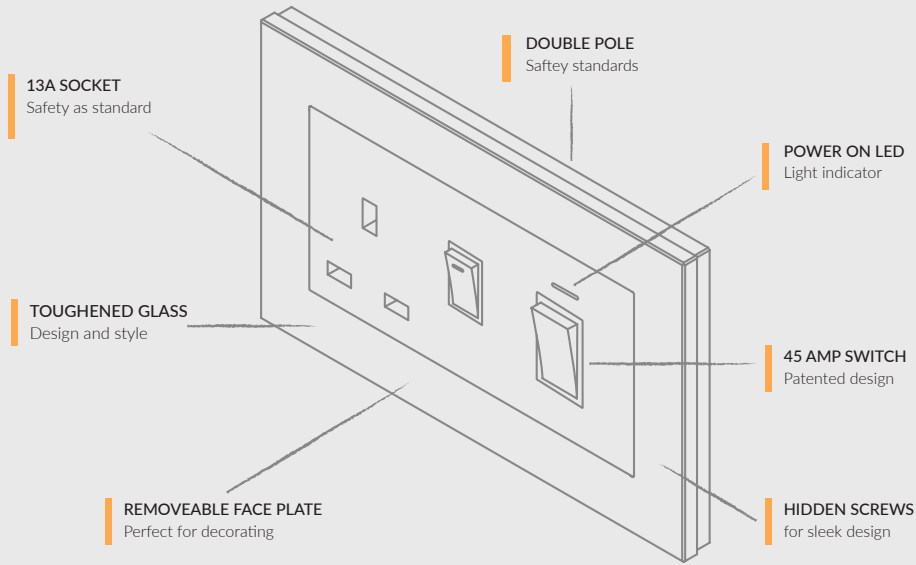
Retrotouch

+44 (0) 1293 279 426 | Sales@retrotouch.co.uk | Retrotouch.co.uk

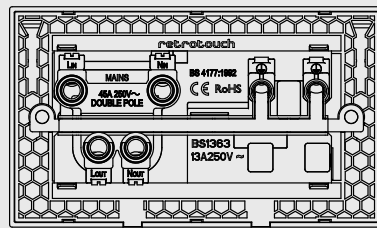
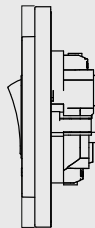
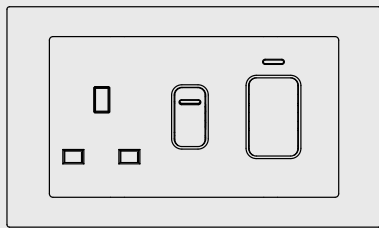
CRYSTAL

SPECIFICATIONS / FEATURES

Our Cooker switch and socket models are designed to offer outstanding functionality while maintaining the exquisite style of our Crystal range, earning their place as the best looking cooker switch for the kitchen.



FITS IN 35MM BACKBOX



Specifications

Sophisticated glass finish

Adding a touch of glass for the ultimate finish

Screwless fronts

The screws are hidden giving your switch a seamless design

Easy fit terminals

Providing ease of install while keeping a premium look

Fits 35mm back box

Offering quick and easy installation

10-year warranty

We've got you covered

1 Gang Switched UK Plug Socket

Double Pole

13 Amp Rated (Socket)

45 Amp Rated (Cooker Switch)

Glass Surround

Neon light for Cooker

Concealed Fixing Screws

150 x 90mm (Standard Double)

Fits in a 35mm Depth Back Box

Terminal size: 6mm

Operating Temperature: -5 to +40 C

Location: Internal Use Only / IP20

What's in the box

Cooker switch with Plug Socket

Glass front plate in Black or White finish

2 screws for back box fixing

Instruction manual

Certifications

10-year warranty

UKCA, CE & RoHS certified

BS1363 & BS4177



Models & Finishes



WHITE WITH CHROME TRIM

SKU: 01840



BLACK WITH CHROME TRIM

SKU: 01841



WHITE GLASS

SKU: 01842



BLACK GLASS

SKU: 01843

For videos & image gallery visit our website.

