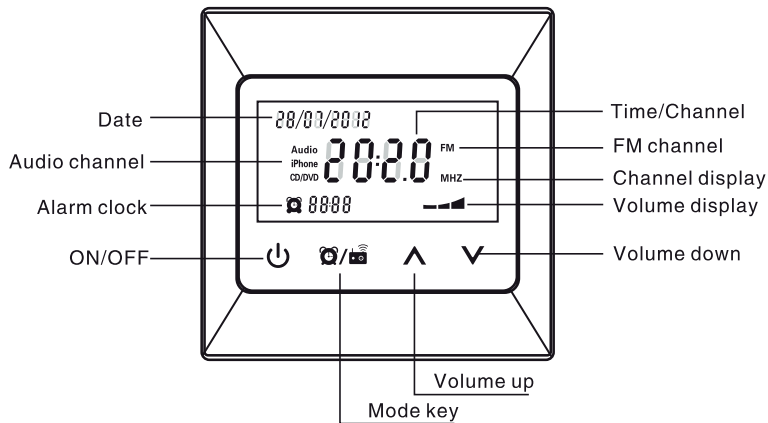
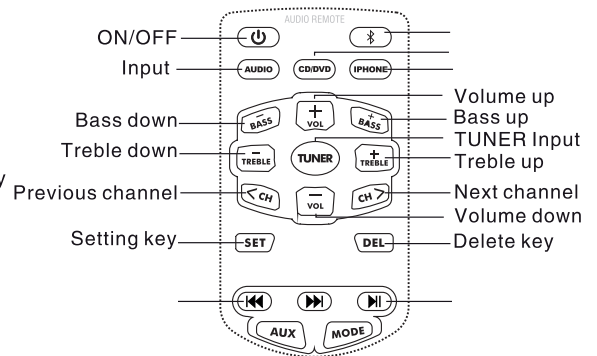


IN-WALL AUDIO SYSTEM USAGE INSTRUCTIONS

Display and key description



Remote control



1. Setting the local radio station's

Press and hold the 'SET' key on the remote control until you see 4 lines on the display '----'. Whilst tuning the lines will flash, this will take between 2-3 minutes to complete. This will store the local station in your area.

2. Setting the Clock, Date and Alarm

Press and hold the '🕒/📻' key for 2 seconds to set the date, time and alarm. Use the ▲ & ▼ keys to cycle up and down then press the '🕒/📻' key to move to the next setting.

Once all times and dates are set then hold the '🕒/📻' 2 seconds or do not press any buttons for 8 seconds to exit clock and alarm setting mode

3. Mode selection

Press the '🕒/📻' key once then use the ▲ & ▼ keys to cycle through each mode. Once you reach the mode you require press the '🕒/📻' key to confirm selection.

4. Setting the radio

Select the FM mode by following instructions in section 2. Use the ▲ & ▼ keys or the <CH> or <CH> keys on the remote to cycle through the radio stations.

If no channels are saved, press the 'SET' key on the remote. The display will flash whilst the Tuner searches for available radio stations.

If you wish to delete a saved radio station from the memory, select the radio station and press the 'DEL' key on the remote. The next saved station will automatically start playing.

5. Volume control

The Volume can be controlled via the fix walled control unit or via the remote control using the ▲ & ▼ keys. The Bass and Treble can be changed via the remote control only.